

# BK-POL Series Polarizing Microscope



شرکت ابزار طب  
وارد کننده تجهیزات  
آزمایشگاهی - تجهیزات علمی  
تاسیس ۱۳۶۳



تهران، خیابان مطهری، خیابان فجر، پلاک 38



021-88832100

021-88321727

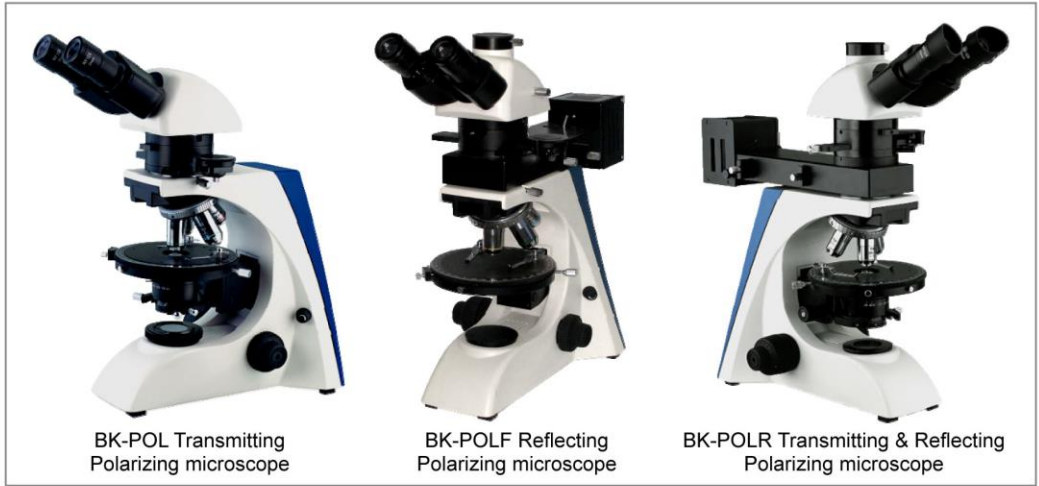
021-88321728



[www.abzarteb.com](http://www.abzarteb.com)



[abzar.teb](https://www.instagram.com/abzar.teb)



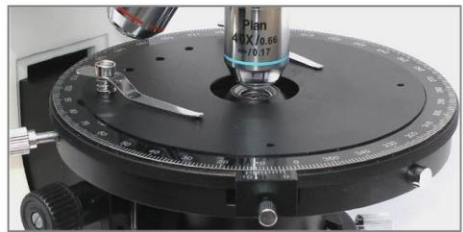
Professional dedicated polarizing binocular head can keep the cross in the right-hand eyepiece always same when the eyepiece tubes turned.



Bertrand lens  
360° rotatable analyzer(with division, can be locked),can be moved out of the light path.



Centering Nosepiece



Centering Revolving Round Stage



Polarizer



Swing-out Condenser



Compensator



Polarizing Attached Mechanical Stage

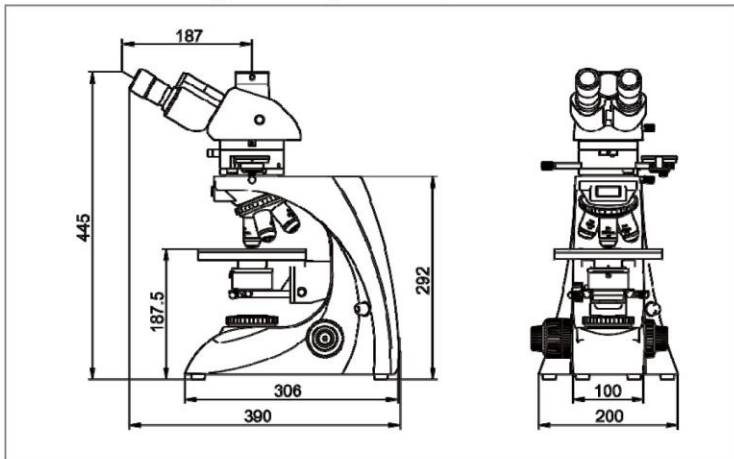
## BK-POL/POLF/POLR Polarizing Microscope Outfits

Items	Specification	BK-POL	BK-POLF	BK-POLR
Eyepiece	WF10×-18mm		●	●
	WF10×-18 mm (Reticule 0.1mm)		●	●
	WF10×-20 mm	●		
	WF10×-20 mm (Reticule 0.1mm)	●		
Non-stress Infinity Plan Objective	4×/0.10	●	●	●
	10×/0.25	●	●	●
	20×/0.40(S)	●	●	●
	40×/0.65(S) (0.17mm cover glass)	●		●
	40×/0.65S) (no cover glass)		●	○
	60×/0.80 (S)	○	○	●
LWD Infinity Plan Objective (no cover glass)	20×/0.40 (S) W.D=8.35mm		○	○
	40×/0.65 (S) W.D=3.90mm		○	○
	50×/0.70 (S) W.D=1.95mm		○	○
	80×/0.80 (S) W.D=0.85mm		○	○
Seidentopf Binocular Head	Inclined 30°, Rotatable 360°, Interpupillary Distance: 50-75mm.	●	●	●
Seidentopf Trinocular Head	Inclined 30°, Rotatable 360°, Interpupillary Distance: 50-75mm. Light Distribution: 0:100	○	○	○
Professional dedicated polarizing binocular head	It can keep the cross in the right-hand eyepiece always same when the eyepiece tubes turned.	○	○	○
Professional dedicated polarizing trinocular head		○	○	○
Nosepiece	Quintuple	●	●	●
Analyzer Unit with Scale	Rotatable 360°(Module Type, Can Be Locked)	●	●	●
Bertrand Lens	Built In, Center Adjustable	●	●	●
λ Slip	First Class Red	●	●	●
1/4λ Slip		●	●	●
Quartz Wedge	( I -IV Class)	●	●	●
Revolving Round Stage	Rotatable 360°, Center Adjustable, Division 1°, Vernier Division 6'	●	●	●
Polarizing Attached Mechanical Stage		○	○	○
Swing-out Condenser	N.A.0.9/0.13 swing out achromatic condenser	●		●
Polarizing Unit with Scale	Rotatable 360°,Can Be Locked	●		●
Koehler Illumination	6V/20W Halogen Lamp(6V/30W is Optional)	●		●
Filter	Blue,	●	●	●
	Amber	○	○	○
	Green	○	○	○
	Neutral	○	○	○
Reflecting Polarizing Unit	Halogen Lamp House 12V/50W		●	●
	Power House		●	●
	Polarizer Choosing Slide		●	●
C-mount	1×	○	○	○
	0.57× (Focus adjustable)	○	○	○

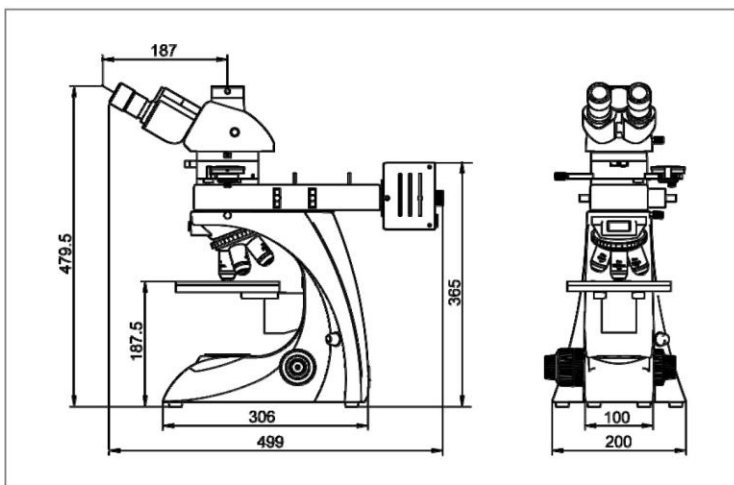
Note: "●" In Table Is Standard outfits, "○" Is Optional Accessories.

Packaging parameters	Packing Size	Gross Weight	Net Weight
BK-POL	565mm×310mm×410mm	12.5 kgs	10 kgs
BK-POLR	750mm×360mm×450mm	16 kgs	12.5 kgs
BK-POLF	750mm×360mm×450mm	15 kgs	11.5 kgs

BK-POL Transmitting Polarizing microscope Size (mm)



BK-POLF Reflecting Polarizing microscope Size (mm)



BK-POLR Transmitting & Reflecting Polarizing microscope Size (mm)

