

XF-S6 precious metal analyzer is an X-ray Fluorescence Spectrometer made by CFAN Instrument and which can be widely used in jewelry factories, Labs and recycling industries. It could support composition analysis, coating thickness detection and RoHS detection. The machine adopt the most advanced customized Fast-SDD detector, built-in Intel I5 quad-core CPU industrial computer, with Smart FP algorithm and adopts a new vertical optical path, the test of analyzer is fast, stable and accurate and high cost performance.



## Specifications

- Input Voltage: AC100 ~ 240V, 50Hz
- Package size: 566mmx531mmx500mm
- Machine size: 450mmx422mmx378mm
- Test chamber size: 366x336x141mm
- Rated power: 180W
- Gross weight: 52KG
- Net weight: 41KG
- Noise: 50dB
- Operating environment:  
Temperature: 15°C ~ 31°C  
Humidity: <70% (Noncondensing)

## Features

- Analysis elements: Al(No.13) ~ U(No.92)
- Max up to 30 elements could be tested simultaneously
- Analysis range:
  - Precious Metal: 0.010% ~ 99.999%
  - Coating: 4 layers, 0.002um~80um
  - RoHS: 1ppm~99.999%

- Test Precision:
  - Precious Metal:  $\pm 0.01\%$  (999 gold)
  - Coating: RSD:  $\pm 1.5\%$  (1um Thickness)
  - RoHS: 1ppm(Ideal situation)
- Test sample: Precious Alloy/ Liquid/ Jewelry coating/Plastic
- Simultaneously detect thickness and content
- Customized TCP/IP protocol API interface, Support external network control status monitoring and data collection of machine
- Supporting multi-point continuous test, high test efficiency
- Continuous automatic test of 10 samples (Optional turntable)
- Two collimators and multi filters
- Compliance with standard GB/T16921, ISO3497:2000, ASTM-B658, IEC62321.

## Core Components

- Detector: AMPTEK customized Fast SDD
  - Area: 25mm<sup>2</sup>, Resolution: 125 $\pm$ 5eV
- Built-in industrial computer: Intel I5 quad-core + win11 system
- HV power supply: 50KV/1mA digital HV
- X-ray tube : 50KV/1mA
  - Window material : beryllium window
  - Target material : wolfram
  - Focus:  $\phi$  0.1mm
- Collimator:  $\phi$ 0.5mm/  $\phi$ 1.5mm



شركت ابزار طب  
تهران، خدیجان مطهری، خدیجان حجر، پلاک 38

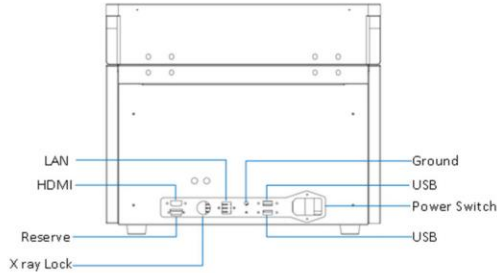
021-88832100  
021-88321727

021-88321728

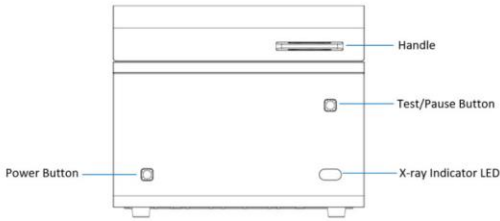
www.abzar.teb.com

abzar.teb

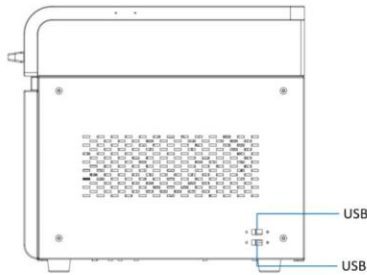
**Hardware Interface**  
**Back**



**Front**



**Right**



**Software Interface**

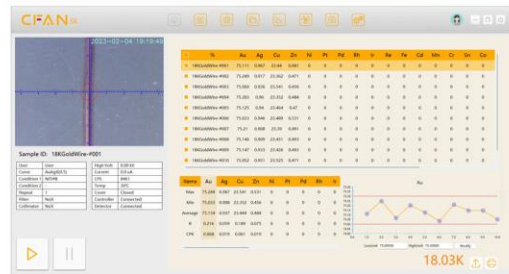
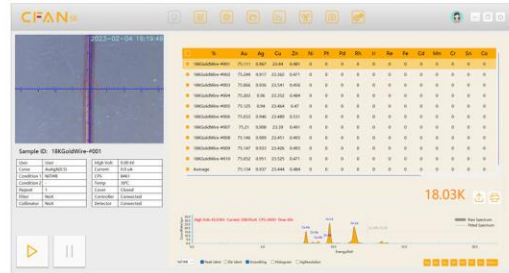
Refer to «XF-A5S/S5/S6 communication protocol» manual.

**Test Case**

- Pt95 with coating rhodium



- 18K gold wire



شرکت ابزار طب  
وارد کننده تجهیزات  
آزمایشگاهی - تحقیقاتی - علمی  
تاسیس ۱۳۶۳

تهران، خیابان مطهری، خیابان فجر، پلاک 38



021-88832100

021-88321727

021-88321728

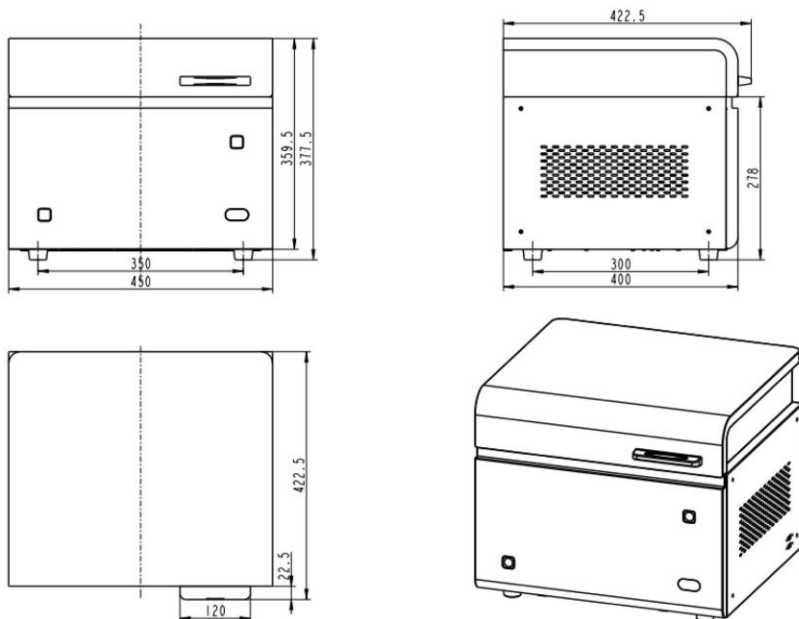


www.abzarteb.com



abzar.teb

## Product Size Drawing



تهران، خیابان مطهری، خیابان فجر، پلاک 38



021-88832100

021-88321727

021-88321728



[www.abzarteb.com](http://www.abzarteb.com)



[abzar.teb](https://www.instagram.com/abzar.teb)

## Maintenance and Calibration

- XF-S6 needs to be placed a dry and normal temperature environment, if you don't use for a long time , please unplug the power plug and cover the machine with a dust cover
- If there is any visible dirt on the metal plate of the machine out-shell, clean it with a diluted neutral detergent and a soft cloth, and then wipe off the moisture with a dry cloth.(Don't use the alcohol for cleaning).
- There is an x-ray lock on the back of the machine, please make sure to operate in the allowed position when using
- Preheating 5 minutes for the first time starting machine everyday, do not cancel the preheat process unless it is emergency.
- If you don't use it for a long time, it's necessary for you to turn on the machine to test any sample for half an hour every week to keep the x-ray tube dry.

## Cautions

- The X-ray is still in the excited state during the test or after the test is completed, if the lid is opened during the test, the system will automatically cut off the X-Ray; if the lid is opened after the test is completed, the system will shield the X-ray to ensure radiation safety.
- Suddenly power failure of the host may cause the loss the files of the built-in industrial computer of the machine, make sure to use UPS, and make sure to close the software before turning off the power of the machine.
- The sample supporting film is mainly to prevent the dust enter the machine inside, it should be replaced in time if there is any damage.
- The standard test time is 60 seconds, less than this time, the test results will be slightly inaccurate.



تهران، خیابان مطهری، خیابان فجر، پلاک 38



021-88832100

021-88321727

021-88321728



[www.abzarteb.com](http://www.abzarteb.com)



[abzar.teb](https://www.instagram.com/abzar.teb)